

AC Output1

9 kW	60 Hz, 1800 RPM, 1 Ph, 1.0 PF, 120-240 V/37.5A, 120 V/75A
Optional	Three Phase with 0.8 PF
Voltage regulation	±1%

Lugger L773L Engine

Type	Vertical inline 3 cylinder diesel
Displacement	69 in ³ (1.13 ltr)
Bore/Stroke	3.03/3.19 in (77/81 mm)
HP @ RPM	15/1800
Exhaust outlet	1.25 inch (31.75 mm) OD

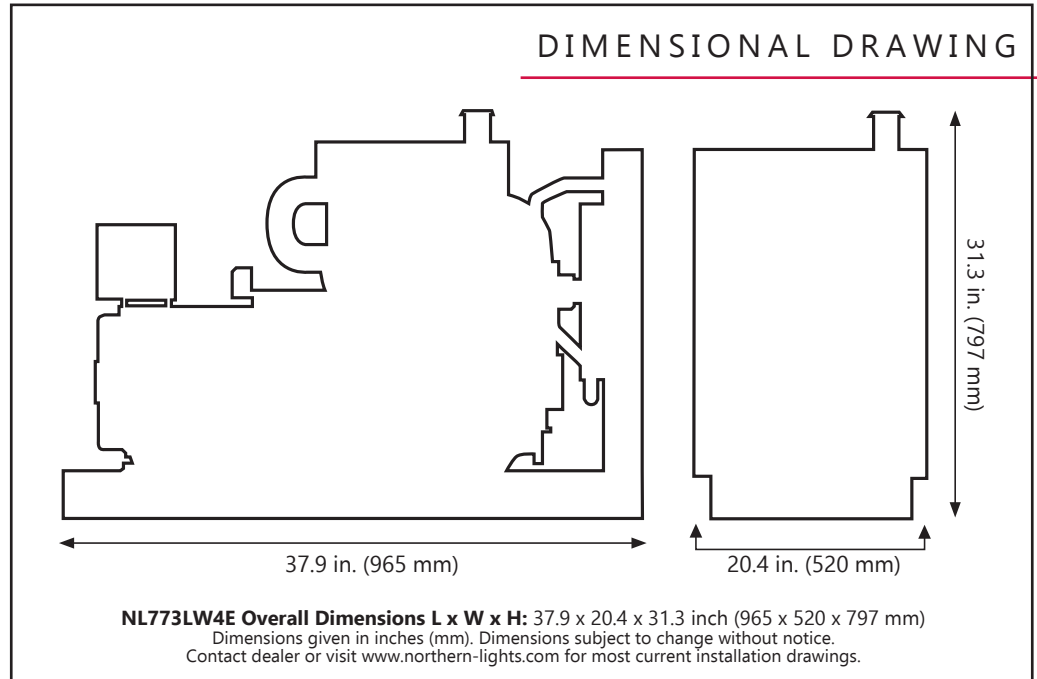
Approx. fuel use

1800 RPM @ full load ²	0.93 gph (3.52 lph)
1800 RPM @ half load ²	0.51 gph (1.93 lph)

Installation Data & Weight

Fuel inlet and return	1/4 inch NPT
Exhaust Outlet	1 1/4 in (31.75 mm)
Approximate dry weight	556 lbs (252 kg)

- Based on SAE J1995 and ISO 3046.
- Actual fuel consumption will vary depending on operating conditions.



NL773LW4E FEATURES AND BENEFITS

ENGINE BLOCK

- Four cycle, 3 cylinder, liquid cooled, naturally aspirated, overhead valve, industrial-duty diesel.
- Indirect injection with glow plugs for fast cold weather starts.

COOLING SYSTEM

- Liquid-cooled with radiator and pusher cooling fan. Steel radiator shroud and fan guard protects the radiator and operator.

SELF-VENTING ELECTRICAL FUEL SYSTEM

- Electrical fuel system for safe, economical function.
- In-block inline pump.
- Actuator controls the fuel rack - not throttle - to eliminate speed variance and linkage issues.
- Engine speed governed to 5% for close AC frequency control.
- Pintle fuel injectors with replaceable tips lower service cost.
- Large spin-on fuel filter.
- Flexible fuel lines routed to fuel manifold for easy tank connectivity.

LUBRICATION SYSTEM

- Pressure lubricated. Gerotor oil pump.
- Full flow, spin-on oil filter with bypass.
- 5 qt. (4.9 ltr) oil capacity for better lubrication.

INTAKE AND EXHAUST

- Meets US EPA Tier IV emission requirements for cleaner air.
- Large, replaceable air filter protects engine in dusty environments.
- Unit mounted residential muffler.

DC ELECTRICAL SYSTEM

- 12 volt system includes starter motor, battery charging alternator with solid state voltage regulator and DC circuit breaker.
- Standard, unit mount S-1B control panel has engine hour meter, start-stop switch with run light and preheat switch.
- Standard safety shutdowns for low oil pressure and high coolant temperature.
- Dual panel relays and quick disconnect harness plug-ins. With optional Y-harness and 10, 20 or 40 foot harness extensions, allows up to six remote control panels, up to 100 feet from the set.
- Electronic control with blink light.

AC GENERATOR

- Northern Lights, direct coupled, brushless AC generator is maintenance free. 4 lead, 1 phase, 1.0 pf, 50 or 60 Hz output. 12 lead-3 phase is optional. Conservative heat rise rating: 95°C/50°C ambient.
- Automatic Voltage Regulator is powered by dedicated AC winding for true 300% short circuit capability. Quick ±1% RMS no load to full load voltage regulation. AVR has circuit breaker protection.
- Generator features high quality, Class "H" epoxy insulation, accessible diodes, over-sized bearing and junction box for wiring.
- High air flow from integral fan keeps generator running cool.

SPECIAL FEATURES

- Welded steel frame provides rigid support and ease of installation.
- Enhanced fan guard for improved operator safety.
- Four centerbonded mounts isolate vibration.
- Long life, blue enamel paint finish.
- Full load testing at factory ensures trouble-free operation
- Operator's and parts manuals provided with each set.
- Custom shipping crate and carton.

**TIER
4**